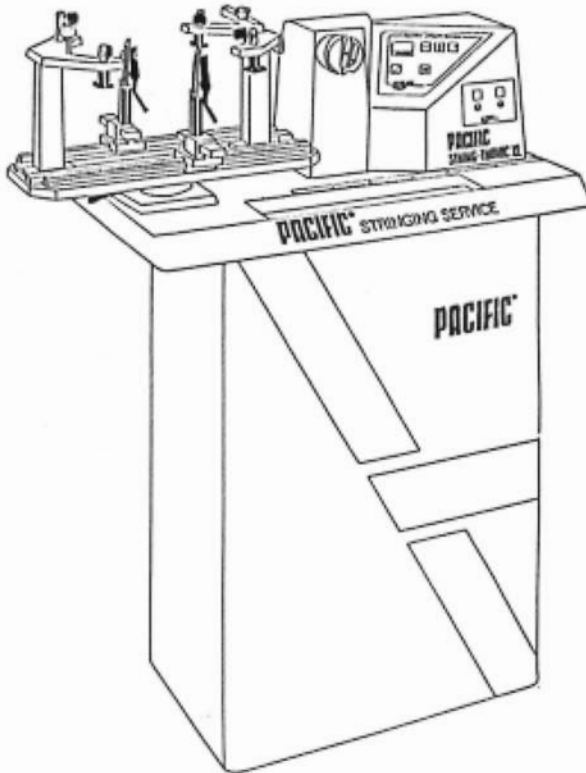


**String Tronic™  
/String Mac™**

**Operation Manual**



# Contents

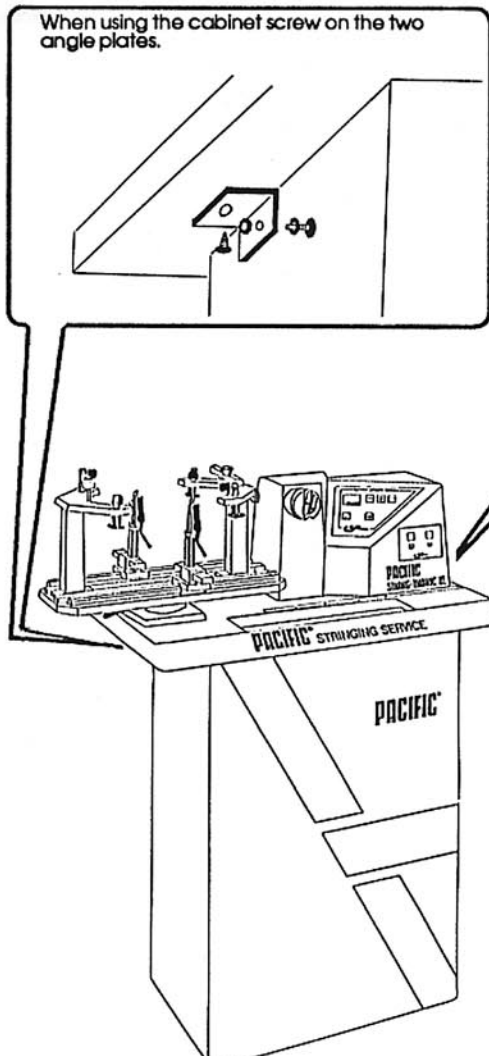
## Operation Manual

Operation	3
Fitting of racket	4
Adjustment of centre clamps	7
Locking of stringing table apparatus	7
Electronic pulling	8
Sensor start-button	9
Height adjustment of pulling head	12
String-length-meter	14
Foot pedal switch	15
Starter clamp	16
Cabinet	17
Important tools	18
Replacement of fuse	19
Cleaning and maintenance	19
Service contract	19
Service station	20

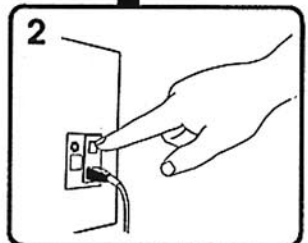
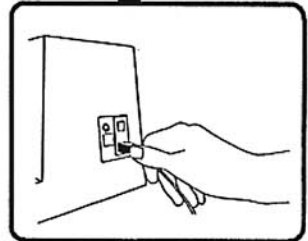
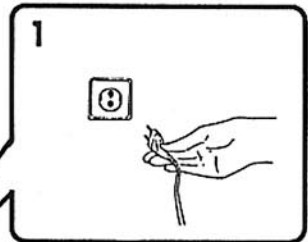
PACIFIC Entermark GmbH  
Porschestraße 4-6  
D-73269 Hochdorf  
Germany  
Tel.: (07153) 98390  
Fax: (07153) 9839598

## Operation

Required voltage 110/220 or 240.  
(see label at the plug side)



- 1 Plug cable into the machine and power supply.
- 2 Press ON/OFF switch.



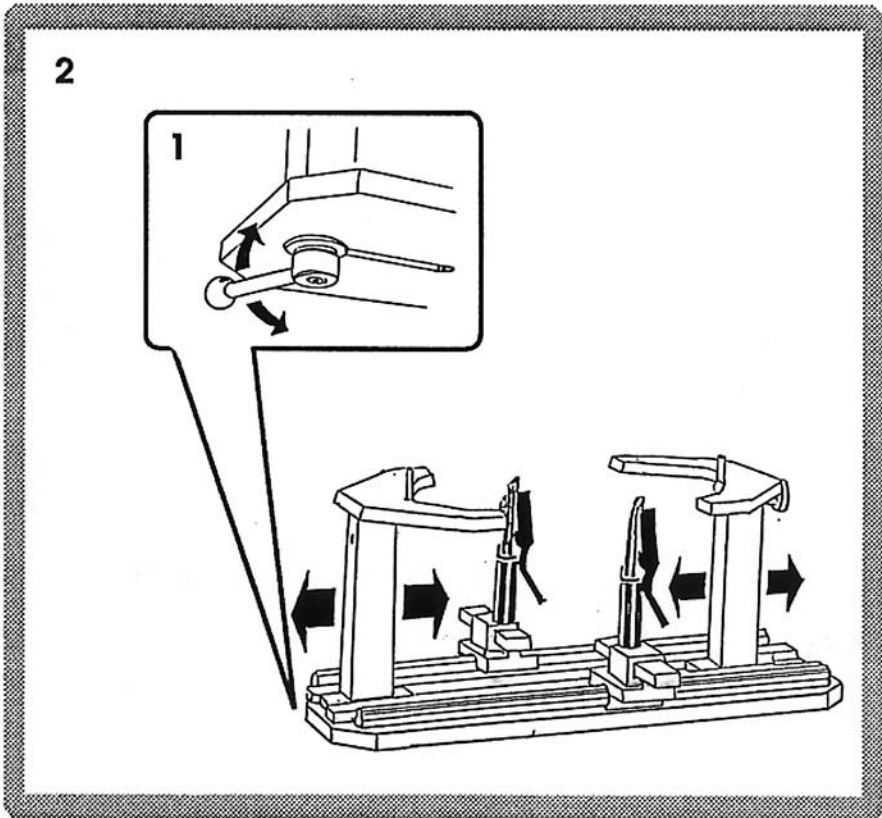
## Fitting of Racket

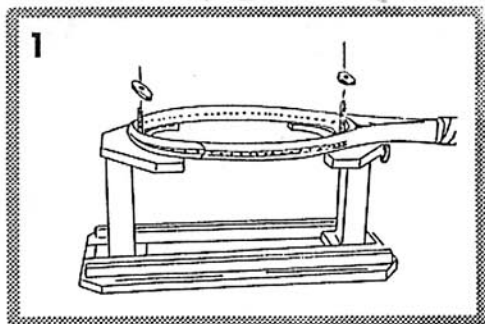
A.

- 1 Open eccentric lever.
- 2 Adjust racket supports according to the size of racket head.

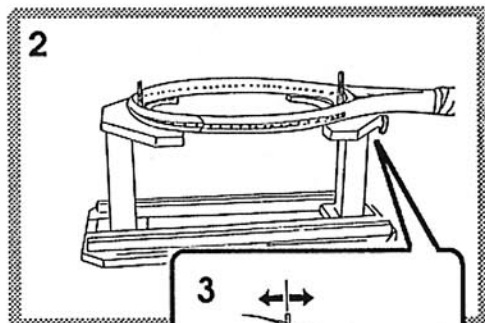
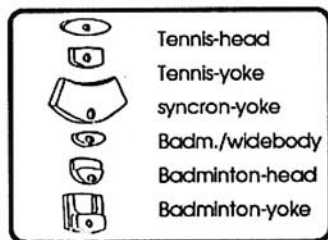
**remark:** Position both racquet supports from the centre.

The eccentric lever can be positioned pointing inwards by pulling it down.

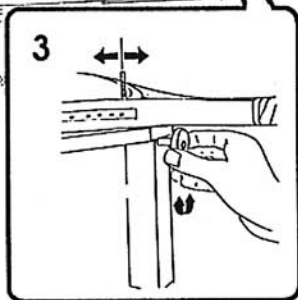




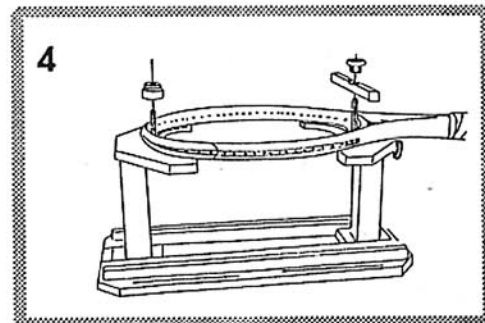
**B.**  
Put the corresponding pressure plate for the corresponding racket over the bolts.



Position racket so that the yoke is at the adjustment device.



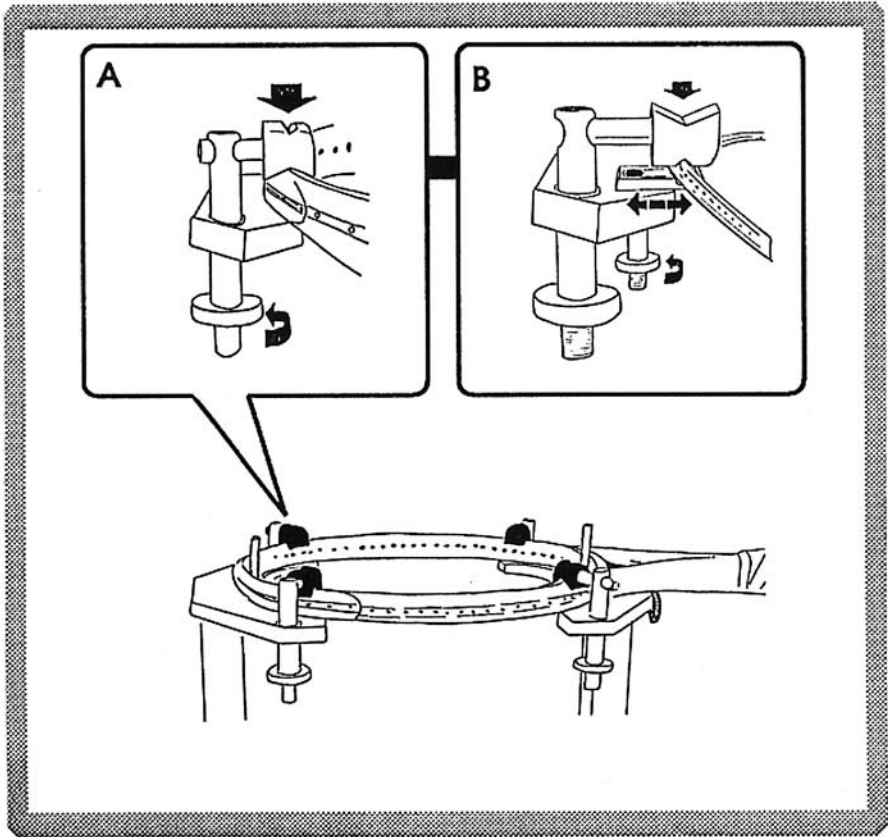
Tighten the racquet slightly by adjustment.



Put rounded nuts on bolts at yokeside with traverse.

C.

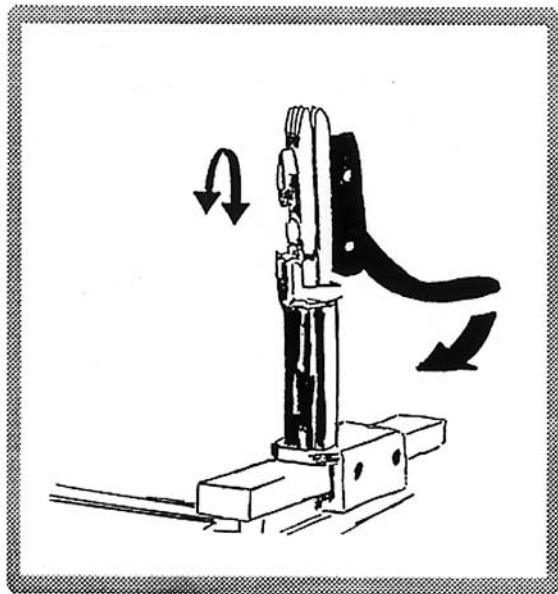
The 4 quick-locks must press the frame firmly onto the supporting plates, so that the frame can not deform.



**A Tennis-**  
Put pressure part with large groove on the frame and tighten it.

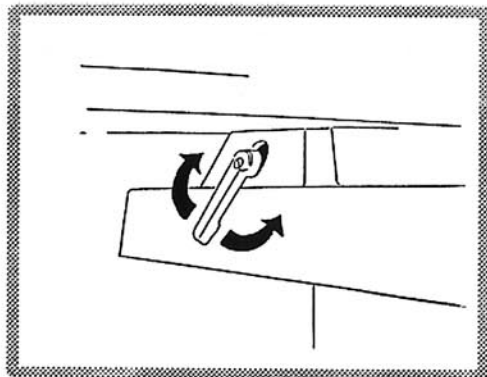
**B Badminton/Squash-**  
Fit the 4 supporting plates according to the size of the racket head and tighten. Use here the pressure part with the small groove on and tighten it.

## Adjustment of Centre Clamps



By turning the screw the clamping power can be adjusted.

## Locking of Stringing Table Apparatus



Locking by lever.

**remark:** Position of the lock lever can be changed by pulling it out.

## **PACIFIC Multi-Assembly System**

With the Multi-Assembly-System you can rebuild the String-Mac stringing machine into an electronic version.

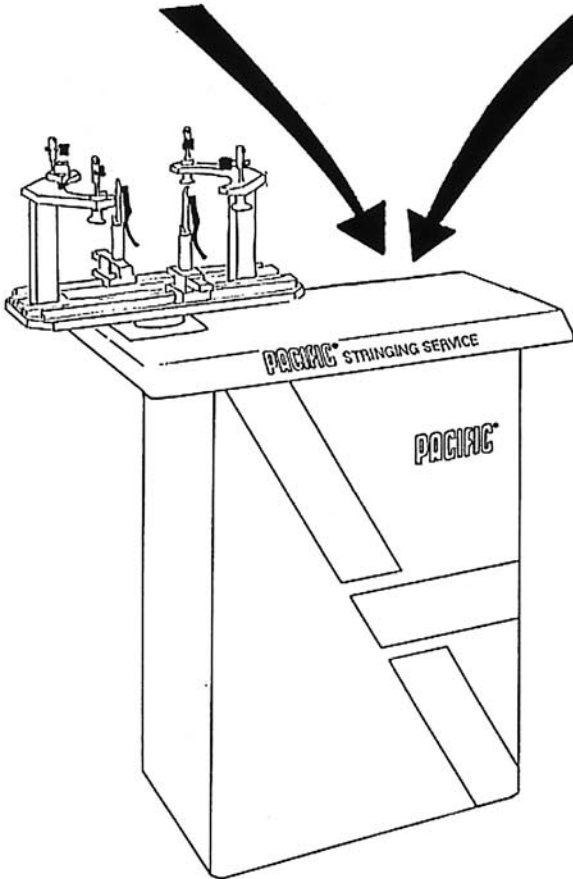
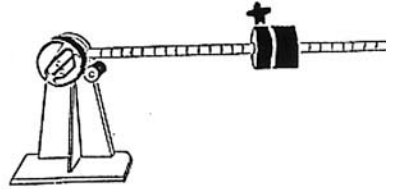
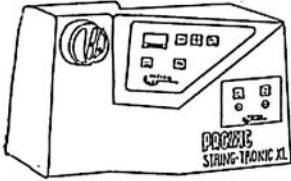
This is of advantage to those wanting to enlarge their service facilities.

But even String-Tronic users can use the manual "dropweight" pulling device if away from a power source.

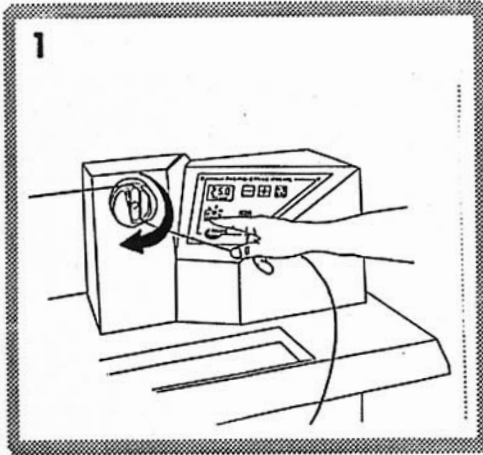
This is a great advantage to smaller service workshops.

**\*with only two screws the electronic nut is fitted to the base plate.**



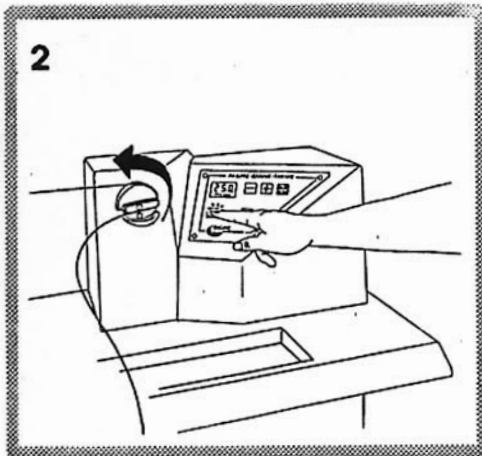


## Electronic Pulling

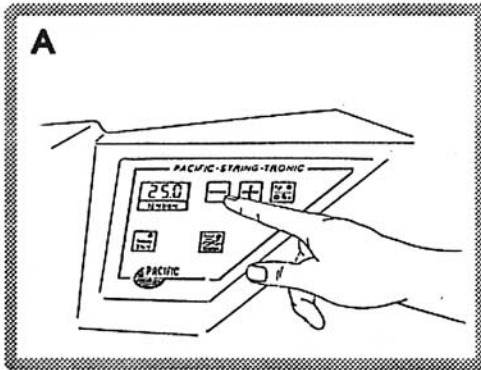


Insert string and press **Start**, to pull the string with required tension.

**remark:** PACIFIC electronic machines are all fitted with a chip controlling the pulling tension constantly with automatic adjustments of 10g difference.

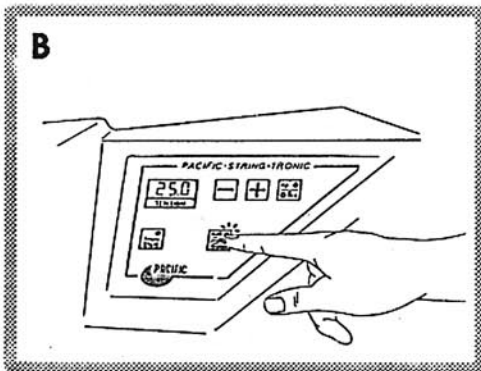


Press **Start** again and the string will be released.



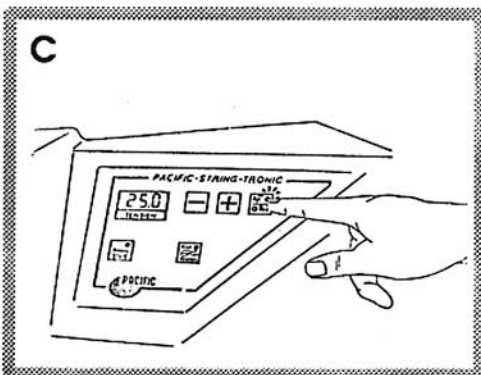
Adjust pulling tension by pressing + or - button.

**remark:** When switching on a programmed tension of 25kp always shows up.



The **knot**-button is used to automatically add 5-10% to the pulling tension to compensate for the loss of tension when doing the knot.

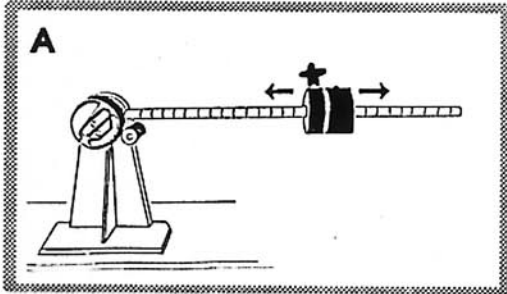
**remark:** The computer ensures there are no mistakes by only allowing one increased tension pull.



**kp/lbs**-button operates the kp- and lbs tension calculator. The light diode indicates which calculator is in operation.

## Mechanical Pull - (String Mac)

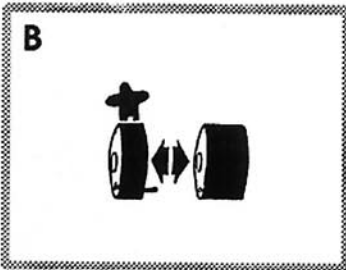
### Adjusting Pulling Tension



#### Tennis

By loosening the screw the weight can be set to the required tension.

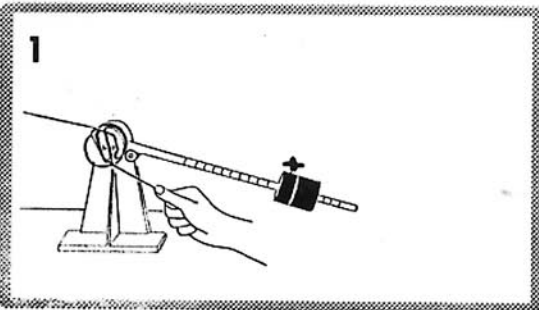
The bar has tension markings and the weight must be fixed behind the required marking.



#### Badminton/Squash

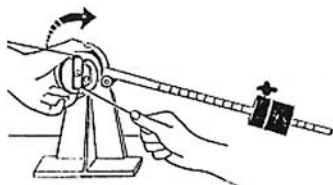
By taking the weight apart the tension will be exactly half of what the marking shows on the bar.

### Pulling by Quick Pulling Device



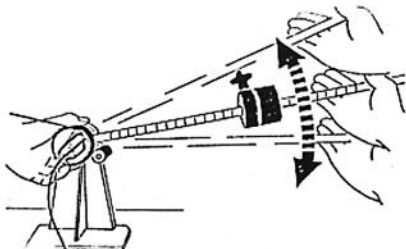
Put string into string pulling device.

2



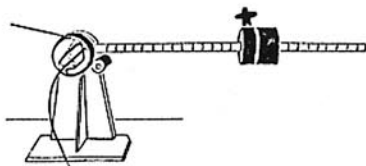
With left hand turn pulley to put string under tension and hold pulley firmly.

3



Lift and lower (pumping) the bar till it settles horizontal.

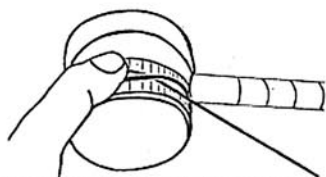
4



Watch the horizontal position of bar to assure equal tension.

### Pulling by Rubber Pulley

1



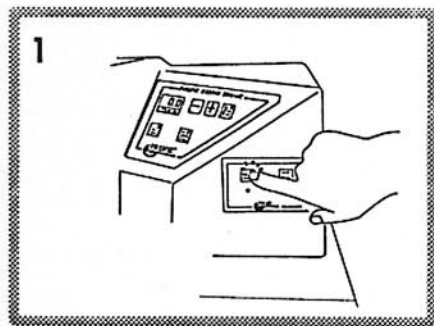
Put string once around the rubber pulley. Cross string and put thumb over crossing string.  
**continue as above 2,3 and 4.**

**remark:** With slippery string put string twice around the pulley, to prevent slipping of string when pulling.

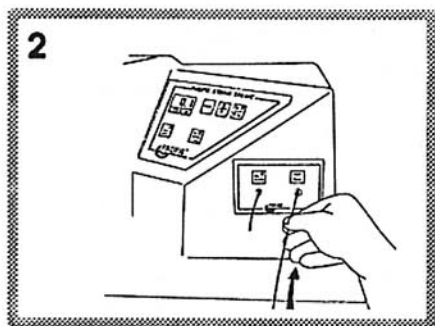
## Accessories for Machines

### String-Length-Meter

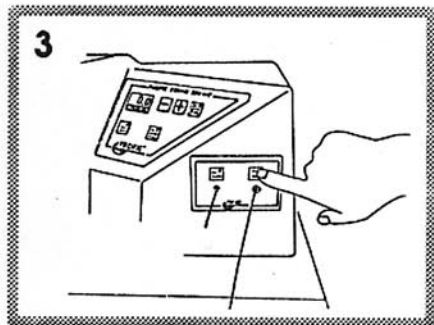
The String-Length-Meter is available built-in or as a separate unit on special request.



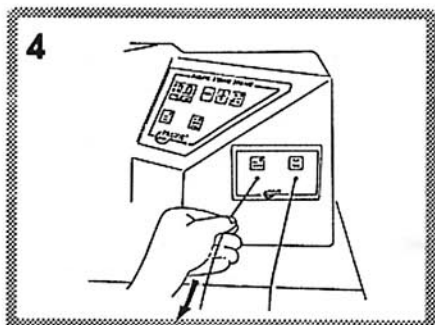
Press **feet/Meter**-button.



Put string into right side hole until string shows from other hole approx. 3cm (1,5 inch.).



Press **zero**-button.



Pull string constantly and read length from display.

**remark:** The kp/lbs -button operates the feet/Meter calculator as well. When button shows kp it measures in meter. (when it shows lbs it will be in feet)



**Important:** After use switch-off String-Length-Meter.

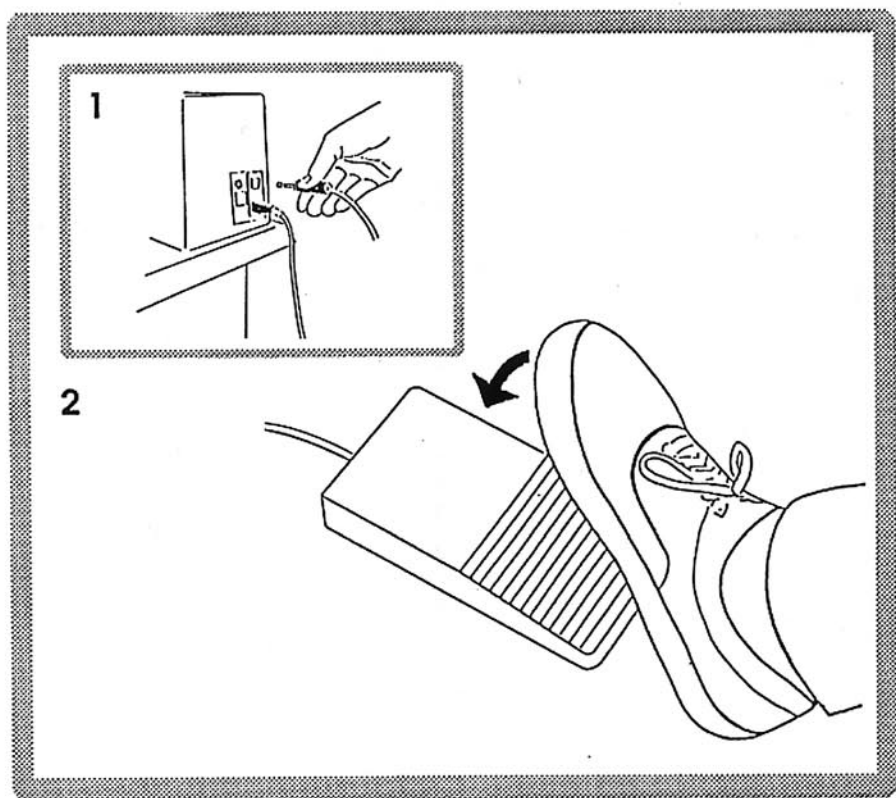
## Foot Pedal Switch

By using the Foot Pedal switch your hands are free for the string job.  
Available on special request.

**1** Plug into machine.

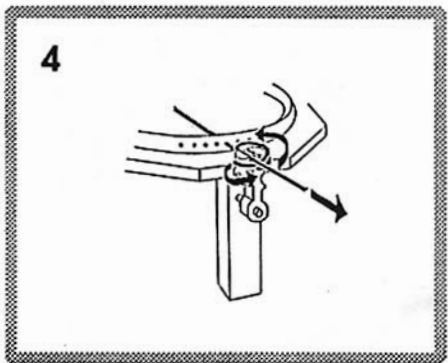
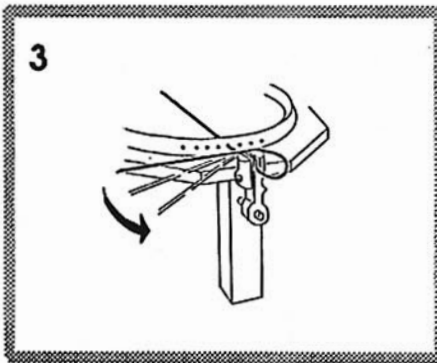
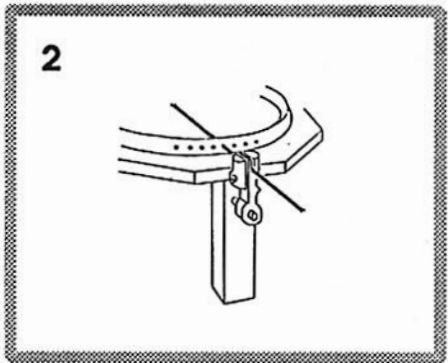
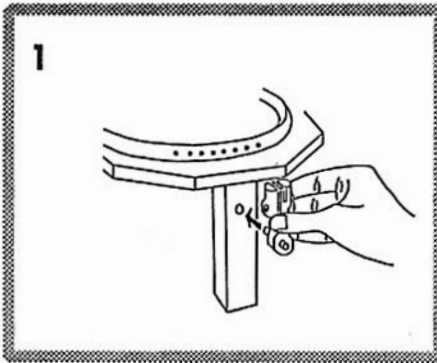
**2** By foot pressing the **Start/Ready**-button is operated.

(see electronic pulling **1** and **2**)



## Starter Clamp

Fit Starter clamp with bolt into the hole as shown.  
Available on special request.



**Important:** Centre clamp are only for clamping the string when under tension and do not replace the Starter clamp. The Starter clamp holds the string when pulling.

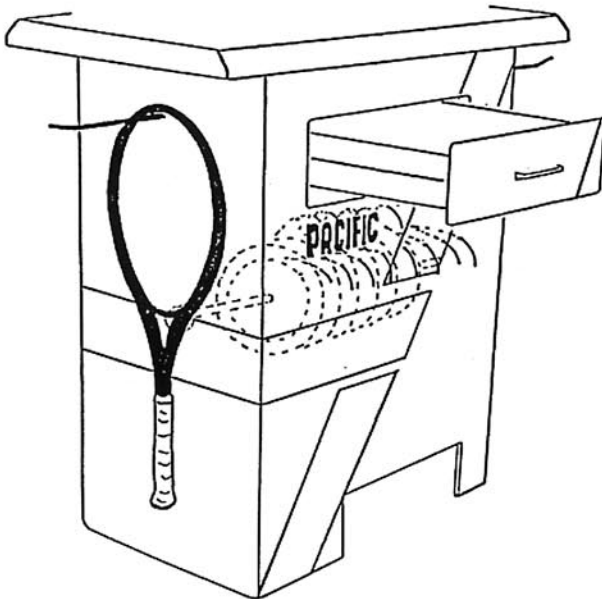
**remark:** With slippery string wrap around string twice.



## Cabinet

**with drawer  
and device for string reels**  
Available on special request.

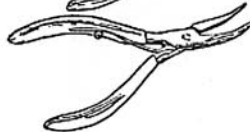
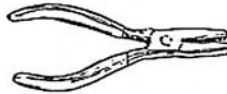
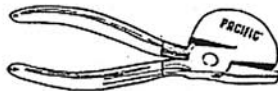
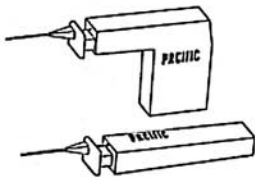
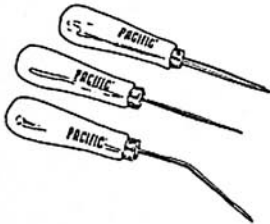
- 1** Besides the compact presentation one has a functional drawer for a well organized machine in the shop.
- 2** A practical device for string reels solves the problem of string reels laying around. The device can take 12 reels.



## Important Tools- Accessories

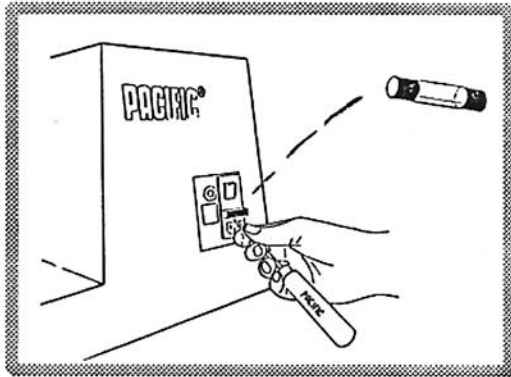
Art.6001	aligning awl
Art.6030	standard-awl/straight
Art.6032	standard-awl/bent
Art.6320	string cutting pliers
Art.6330	pointed pliers bent
Art.6500	repair pulling pliers
Art.6510	pliers
Art.6300	string comb
Art.6310	string starter clamp
Art.6090	special awl set

... and many more.



## Replacement of Fuse

When you have no power check the fuse.



fuse: T 1 A 250 V

spare fuse:

A spare fuse is located below the cover.

## Cleaning and Maintenance

To keep the machine operating efficiently, it's important to grease the sliding bars with the **PACIFIC special grease**.



With the **cleaner** the centre clamp must be degreased from time to time so that the clamps remain grippy.

## Service Contract

PACIFIC offers a service contract. **Please contact your PACIFIC-representative for further details.**



## PACIFIC Service Station

PACIFIC offers all what a modern stringing workshop requires.

All machines are designed to match each other giving a compact and unique appearance-for the smaller stringing workshop or the professional service station.

Contact your PACIFIC representative for further equipment and up-to-date expansion of our service facilities, such as

- Electronic Grommet Repair-Kit
- MultiTest-Computer
- String Power Tester II
- cardex system
- tools, maintenance items,

... and many more.

Or book for one of our **PACIFIC Seminars.**

